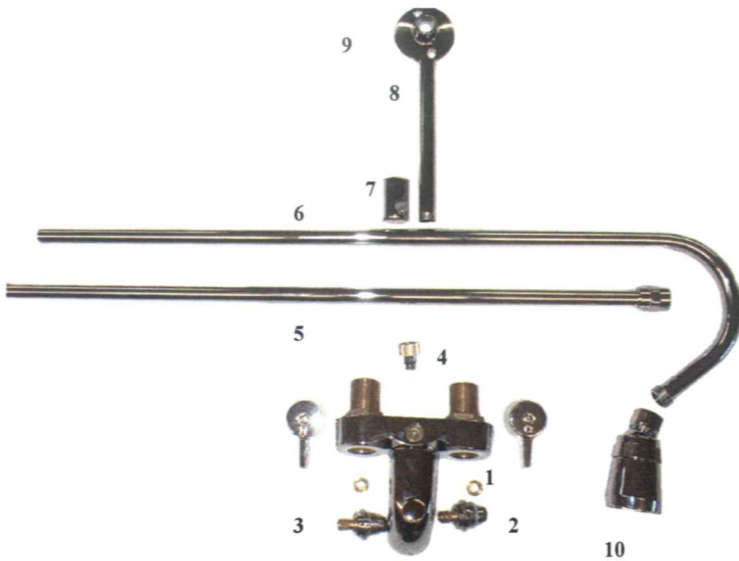


Rubex

Parts and Instructions



1195S SERIES

#	Part No.	Description
1	22SE	Seat
2	21C	Cold Cartridges
3	21H	Hot Cartridges
4	38FM	Female Riser Adaptor
5	1195R-36	36" Lower Riser Tube
6	1195R-T	Top Riser Tube
7	150EL	Eye Loop
8	150WS6	Wall Support
9	150FL	Flange
10	120	Shower Head

Note: -Above Part Numbers for Chrome Finish
-Please Note Faucet Finish When Ordering Parts

Care and Maintenance

Minimum maintenance is required to maintain product finish. With proper maintenance your **Rubex** faucet will continually look like new. Special care should be taken when cleaning your Faucet and the following suggestions should help extend your Faucet life.

A) Cleaning should be done regularly using a soft cotton cloth and warm water; then towel dry.

B) Do not use cleaners that contain abrasives or harsh chemicals; care should be taken in selecting cleaning supplies. Many cleaner contain detergents, ammonia, or other corrosive solvents that could damage your faucet finish.

C) Occasionally clean with a non-abrasive wax polish.

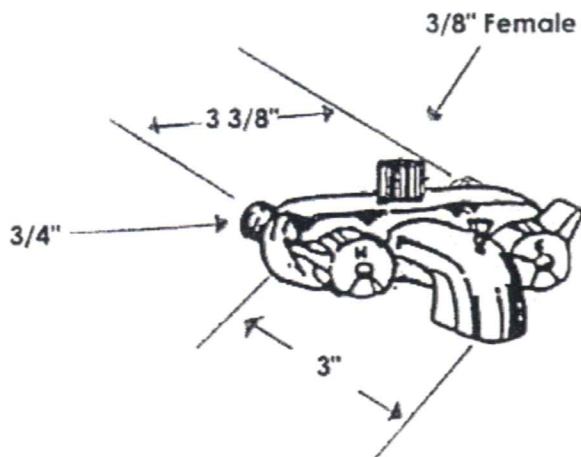
Warranty

MiBATHS warrants the original purchase for a period of ninety (90) days from original date of purchase that the product will be free of any manufacturing defects. Product will be replaced at no charge provided it has been installed in accordance to **MiBATHS Installation Instructions**, used as recommend and not damage due to misuse, abuse, faulty maintenance, accident or other damage. **MiBATHS** is not responsible for replacement labor costs, or shipping charges, or damage incurred during installation, removal, repair, or replacement of any **MiBATHS** product.

My Italian Bath & Shower Inc.
1330 Appling Street, Chattanooga, TN 37406
Email: mibaths@comcast.net Website: www.mibaths.com
Toll Free: 1-866-622-9577 Fax: 1-888-698-8755

Rubex

Faucet Specs



Mounting Instructions

1. Install Faucet to Tub.
2. Slide Eye loop (7) onto the Riser tube (6).
3. Connect Riser tube (6) to Riser tube (5).
4. Connect complete Riser to Faucet.
5. Screw Wall support (8) to Eye loop (7).
6. Place Wall support (8) into Flange (9) screw Flange (9) into the Wall and tighten the Set screw holding the Wall support in place.
7. Finish assembly by screwing on Shower head (10)

My Italian Bath & Shower Inc.

1330 Appling Street, Chattanooga, TN 37406

Email: mibaths@comcast.net Website: www.mibaths.com

Toll Free: 1-866-622-9577 Fax: 1-888-698-8755